



COMBiLiFT

Customized Handling Solutions

Combilift 4WSL



Capacity: 10,000 lbs. - 12,000 lbs.



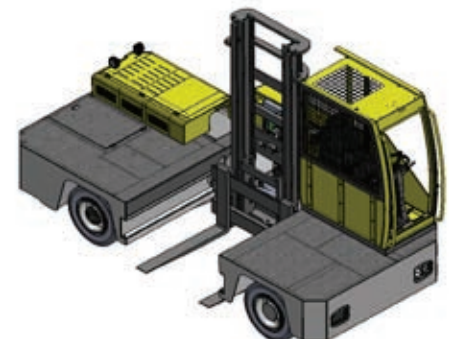
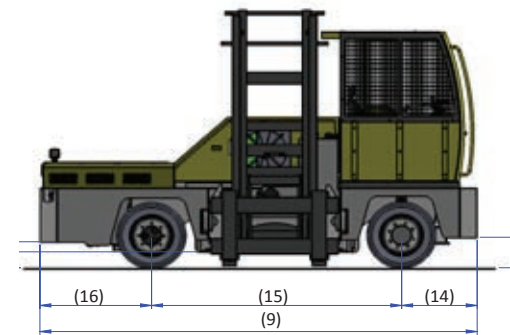
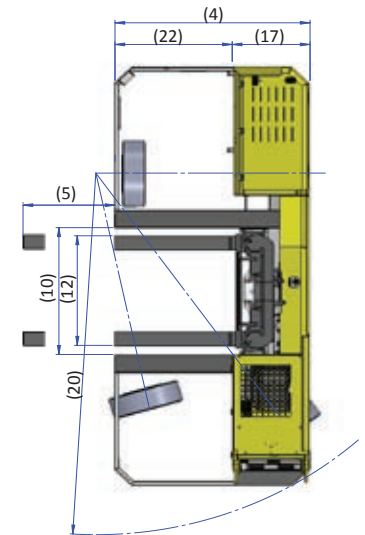
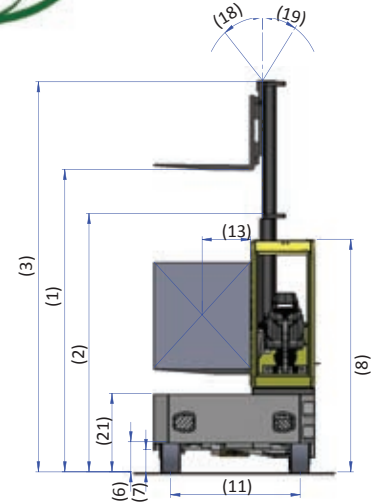
Single hydrostatic drive motor coupled to a JCB differential axle ensures reliable continuous drive for long distance travel

CombiLift 4 Wheel Sideloader

Combilift 4 Wheel Sideloader



Ref.	Description	C10,000 4WSL	C12,000 4WSL
1a	Max. Lift Height	159"	
1b	Freelift Height	0"	
2	Height Mast Closed	119 ½ "	
3	Max. (Mast raised)	203"	
4	Overall Width	79"	86"
5	Mast Travel	49"	57"
6	Ground Clearance Under Mast	9"	
7	Ground Clearance to Centre of Wheelbase	9"	
8	Height Over Cab (Without work - lights)	107"	
9	Length	179 ½ "	
10	Frame Opening	53 ½ "	
11	Track	67"	
12	Outside Spread of Fork Arms	55"	
13	Load Centre Distance	23 ½ "	
14	Overhang Front	32"	
15	Wheelbase	99"	
16	Overhang Back	44"	
17	Length From Face of Fork	31 ½ "	
18	Forward Tilt	4°	3°
19	Backward Tilt	5°	
20	Minimum Outside Radius	165"	
21	Platform Height	36"	
22	Platform Length	47"	55"
A	Capacity	10,000 lbs	12,000 lbs.
B	Unladen Weight	16,530lb	16,975 lbs.
C	Maximum Ground Speed	16 mph	
D	Gradability	15%	
E	Deutz TCD 3.6 L4 (Stage IIIB)	100 hp	
F	Electrics	12 Volt	
G	Fork Section 2" x 7 ¾ "	47"	55"
H	Front Tire Pneumatic/Super Elastic	8.25 - 15	300 - 15
I	Rear Tire Pneumatic/Super Elastic	8.25 - 15	300 - 15
J	Standard Colour	Yellow & Grey	
K	Suspension Seat	KAB Model 116	



FEATURES INCLUDE:

- Hydraulic Suspended Cabin
- Load Sensing Steering
- Wet Disc Brakes
- Tilting Chassis
- 2 Wheel Drive
- Hydraulic Oil Cooler





Australia: 1300 552 422



Germany: 0800 000 57 64



North America: 1877 266 2456



Spanish : +34 947 26 70 70



UK: 07870 976 758

Distributed by:

Combilift USA

303 Concord St.

Greensboro

NC 27406

USA

T: +1 877 266 2456

F: +1 336 378 8842

E: info@combilift.com

Combilift

Co. Monaghan

Ireland

T: 011 353 47 80500

F: 011 353 47 80501