



COMBiLiFT

C8000E

Customized Handling Solution



New Display Including Wheel Position



Deep Suspension Seat



three machines in one

Counterbalance Forklift > Aisle Truck > Side Loader

Patent Pending : GBI30281 I.3

www.COMBiLiFT.com

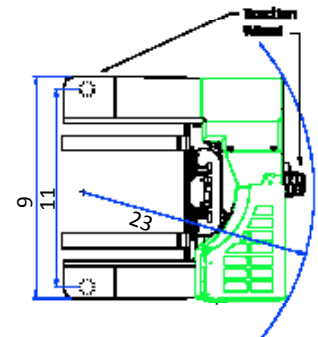
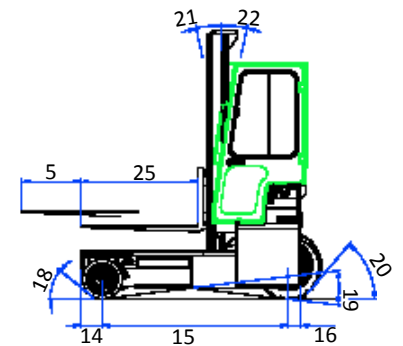
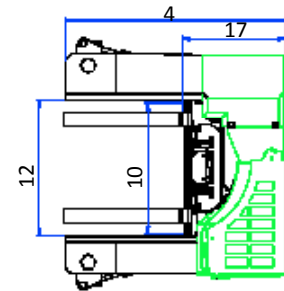
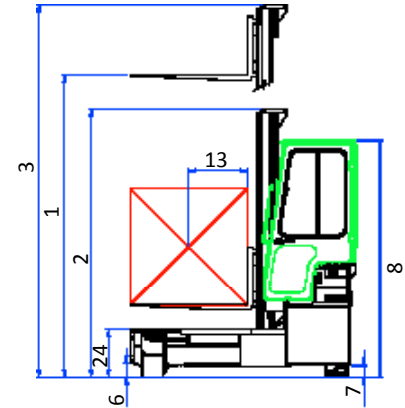


SPECIFICATIONS

C8000E

Available 6,000 lbs. to 10,000 lbs.

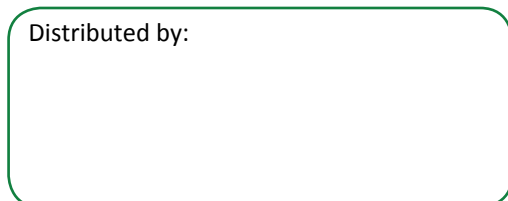
Ref.	DESCRIPTION	Standard	Option
1a	Max. Lift Height		159"
1b	Freelift Height		0"
2	Height Mast Closed		112"
3	Max. (Mast raised)		192"
4	Overall Length	90 1/2"	91 1/2"
5	Mast Travel	51 1/4"	49 1/4"
6	Ground Clearance Under Mast		6"
7	Ground Clearance to Center of Wheelbase		7"
8	Height Over Cab (Without work - lights)		93 3/4"
9	Width		89 1/2"
10	Outside Spread of Fork Arms		53 1/4"
11	Track Front		79 1/2"
12	Frame Opening		55"
13	Load Center Distance		24"
14	Overhang Front		8 3/4"
15	Wheelbase		74 1/2"
16	Overhang Back		5 1/4"
17	Length From Face of Fork	43 1/4"	46 1/4"
18	Approach Angle		45°
19	Ramp Angle		17°
20	Departure Angle		45°
21	Forward Tilt		3°
22	Backward Tilt		5°
23	Minimum Outside Radius		94 1/2"
24	Platform Height		18 1/2"
25	Platform Length	47 1/4"	45 1/4"
A	Capacity		8000lbs
B	Unladen Weight		14,200lbs
C	Maximum Ground Speed		6 mph
D	Gradeability		10%
E	Battery Capacity (V / Ah)		80V / 625Ah
F	Fork Section		2" x 6" x 47 1/4"
G	16 x 7 - 10.5 Front Tire (Solid Rubber)		OD 16" / Width 8 3/4"
H	27 x 10-12 Rear Tire		OD 26 3/4" / Width 10"
I	Standard Color		Green & Grey
J	AC Electric Traction Motor x 2		80v / 7hp
K	AC Electric Pump Motor		80V / 25hp



FEATURES INCLUDE:

- Rubber Mounted Cabin
- AC Motor Technology
- Multi-Direction Operation
- Load Sensing Steering
- Curtis AC Software
- 4 Way Lever Positioning of Wheels
- 2 Wheel Drive

Distributed by:



COMBiLiFT USA

303 Concord Street, Greensboro, North Carolina 27406

Toll Free: 1 - 877 COMBI 56

Tel: 336 - 378 - 8884 Fax: 336 - 378 - 8842

E: info@combilift.com

www.COMBiLiFT.com