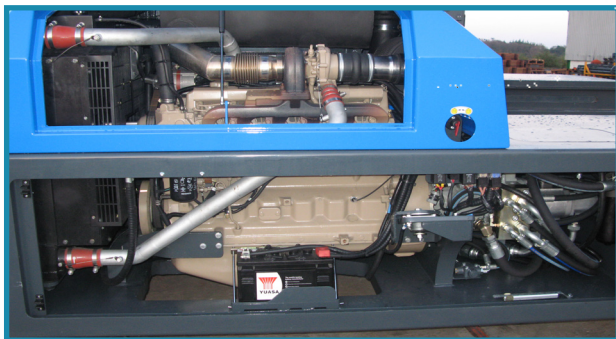




COMBiLiFT

C55,000

Multi-Directional Forklift



**Designed to Handle Heavy,
Long and Awkward Loads.**

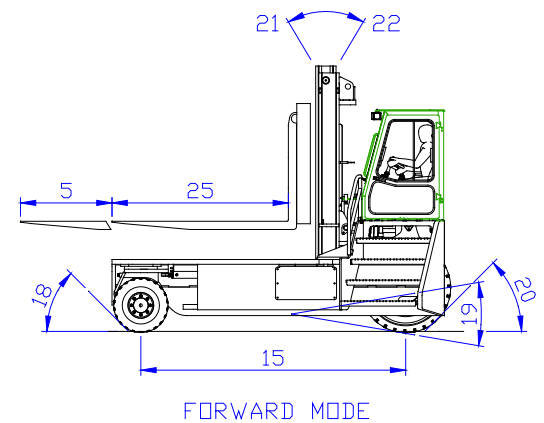
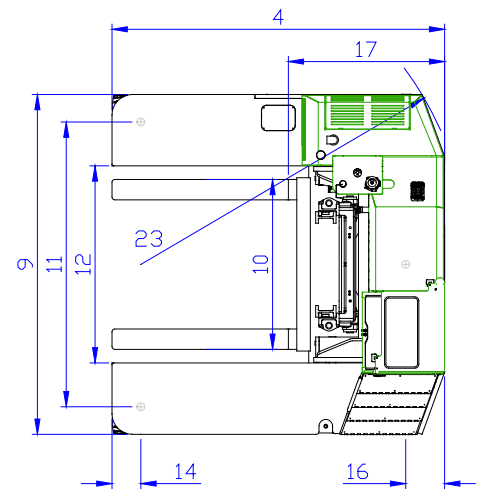
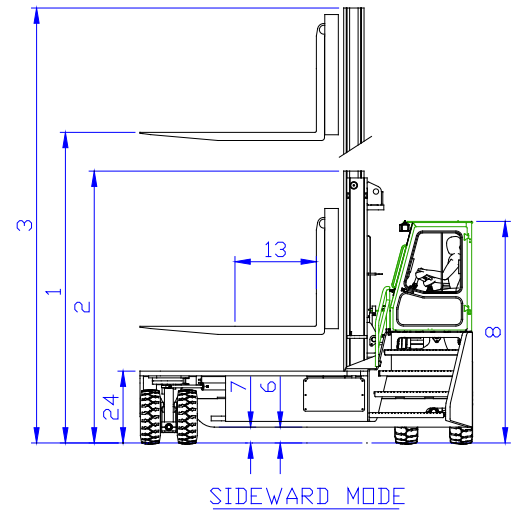
www.COMBiLiFT.com



SPECIFICATIONS

MODEL C55,000

REF	DESCRIPTION	STANDARD
1 a	Max. Lift Height	162"
1 b	Free Lift Height	0"
2	Height Mast Closed	164"
3	Max.(Mast raised)	248"
4	Overall Length	193"
5	Mast Travel	106"
6	Ground Clearance Under Mast	18"
7	Ground Clearance to Centre of Wheelbase	9"
8	Height Over Cab (without work-lights)	132"
9	Width	205"
10	Outside Spread of Fork Arms	94"
11	Track Front	167"
12	Frame Opening	114"
13	Load Center Distance	48"
14	Overhang Front	21"
15	Wheel Base	147"
16	Overhang Back	25"
17	Length From Face of Fork	91"
18	Approach Angle	45°
19	Ramp Angle	17°
20	Departure Angle	45°
21	Forward Tilt	4°
22	Backward Tilt	8°
23	Minimum Outside Radius	191"
24	Platform Height	45"
25	Platform Length	102"
A	Capacity	55,000 lbs
B	Unladen Weight	89,000 lbs
C	Maximum Ground Speed (2 Speed)	5 mph/ 10 mph
D	Gradeability (2 Speed)	10% / 5%
E	John Deere Diesel 6068HF485	168 kW (225HP)
F	Electric's	12 Volt
G	Fork Section	5" x 12" x 102"
H	14.00 – 24 Rear Tires (Super Elastic) x 2	OD 40" / Width 18"
I	355/65-15 Front Tires (Super Elastic) x 4	OD 33" / Width 14"
J	Standard Color	Yellow and Grey
K	Suspension Seat	KAB Model 116



FEATURES INCLUDE:

- Hydraulic Mounted Cabin
- Multi-Direction Operation
- 4 Wheel Hydrostatic Drive
- +/- 6" Integrated Side-shift
- 4 Way Lever Positioning of Wheels
- Load Sensing Steering
- Hydraulic Oil Cooler

COMBiLiFT USA

303 Concord St
Greensboro, NC 27406

T: 1877 COMBI 56

F: 336 378 8842

E: info@combilift.com

www.COMBiLiFT.com