



COMBiLiFT

C30,000 JD

Customized Handling Solutions



three machines in one

Counterbalance Forklift > Aisle Truck > Side Loader

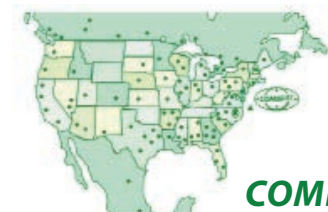
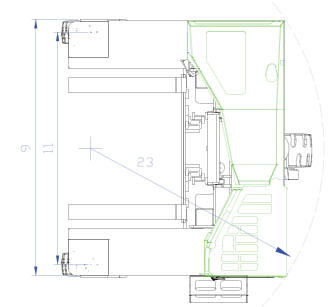
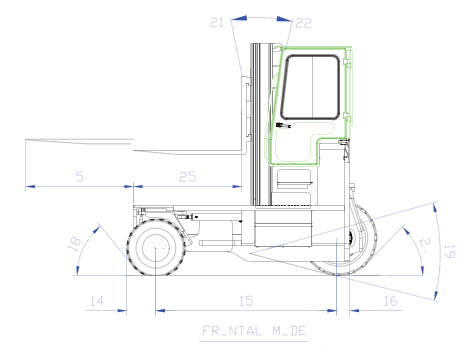
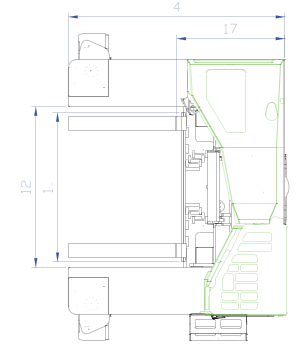
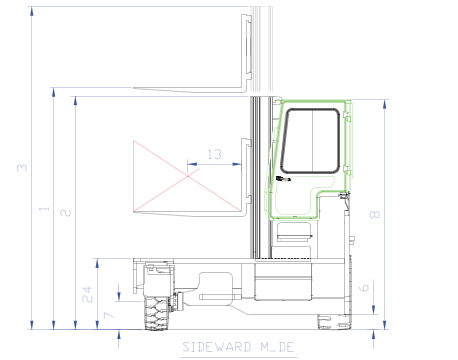
www.COMBiLiFT.com



SPECIFICATIONS

MODEL C30,000 JD

REF	DESCRIPTION	STANDARD
1a	Max. Lift Height	161 1/2"
1b	Freelift Height	0"
2	Height Mast Closed	136"
3	Max. (Mast raised)	228 1/4"
4	Overall Length	117 3/4"
5	Mast Travel	65"
6	Ground Clearance Under Mast	12"
7	Ground Clearance to Center of Wheelbase	13"
8	Height Over Cab (Without work - lights)	132"
9	Width	138 1/4"
10	Outside Spread of Fork Arms	80 3/4"
11	Track Front	119 3/4"
12	Frame Opening	87"
13	Load Center Distance	24"
14	Overhang Front	18 1/2"
15	Wheelbase	91 1/4"
16	Overhang Back	8 1/4"
17	Length From Face of Fork	61"
18	Approach Angle	45°
19	Ramp Angle	29°
20	Departure Angle	45°
21	Forward Tilt	4°
22	Backward Tilt	8°
23	Minimum Outside Radius	132 1/4"
24	Platform Height	38 1/2"
25	Platform Length	56 3/4"
A	Capacity	30,000 lbs.
B	Unladen Weight	36,500 lbs.
C	Maximum Ground Speed	9 mph
D	Gradeability	15%
E	John Deere 4045 Diesel Engine	125hp
F	Electrics	12 Volt
G	Fork Section	2 1/2" x 10" x 56 3/4"
H	400 / 55 – 15 Front Tire	OD 32 1/2" / Width 13"
I	465 / 55 - 20 Rear Tire	OD 40" / Width 18"
J	Standard Color	Green & Grey
K	Suspension Seat	KAB Model 21 I



FEATURES INCLUDE:

- Rubber Mounted Cabin
- Multi-Direction Operation
- 3 Wheel Hydrostatic Drive
- Load Sensing Steering
- 4 Way Lever Positioning of Wheels
- Hydraulic Oil Cooler

Distributed by:

COMBiLiFT USA

303 Concord Street, Greensboro, North Carolina 27406

Toll Free: 1 - 877 COMBI 56

Tel: 336 - 378 - 8884 Fax: 336 - 378 - 8842

E: info@combilift.com

www.COMBiLiFT.com