



COMBiLiFT

C22,000

Customized Handling Solutions



three machines in one

Counterbalance Forklift > Aisle Truck > Side Loader

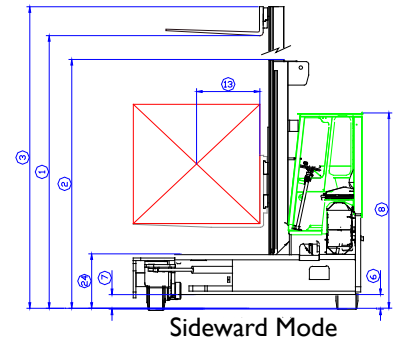
www.COMBiLiFT.com



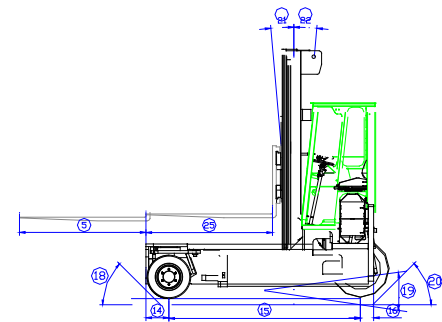
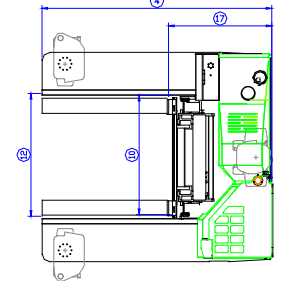
SPECIFICATIONS

C22,000

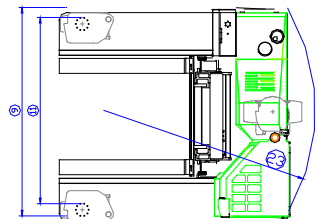
REF	DESCRIPTION	C22,000
1a	Max. Lift Height	161 ½"
1b	Freelift Height	0"
2	Height Mast Closed	136"
3	Max. (Mast raised)	228 ½"
4	Overall Length	121"
5	Mast Travel	68 ¼"
6	Ground Clearance Under Mast	11 ½"
7	Ground Clearance to Center of Wheelbase	6 ½"
8	Height Over Cab (Without work-lights)	102"
9	Width	110 ¼"
10	Outside Spread of Fork Arms	63"
11	Track Front	98 ½"
12	Frame Opening	65"
13	Load Center Distance	24"
14	Overhang Front	12 ¼"
15	Wheelbase	100 ¾"
16	Overhang Back	8 ¼"
17	Length From Face of Fork	54 ½"
18	Approach Angle	45°
19	Ramp Angle	29°
20	Departure Angle	45°
21	Forward Tilt	3°
22	Backward Tilt	5°
23	Minimum Outside Radius	122 ¼"
24	Platform Height	30 ½"
25	Useful Platform Length	66 ½"
A	Capacity	22,000 lbs.
B	Unladen Weight	30,850 lbs.
C	Maximum Ground Speed	8 ½ mph
D	Gradeability	15%
E	Kubota V3800-TE Diesel	72 kW/ 96hp
F	Electrics	12 Volt
G	Fork Section 2 ½" x 8"x	66½"
H	Front Tire x 2	22 x 12x 16 (Solid Rubber) OD 22" / Width 12"
I	Rear Tire x 1	840/350- 559 (Solid Rubber) OD 33" / Width 13¾"
J	Standard Color	Green & Grey
K	Suspension Seat	KAB Model 211



Sideward Mode



Frontal Mode



COMBILIFT USA

303 Concord Street, Greensboro,
North Carolina 27406

Toll Free: 1 - 877 COMBI 56

Tel: 336 - 378 - 8884 Fax: 336 - 378 - 8842

E: info@combilift.com

www.COMBILIFT.com

FEATURES INCLUDE:

- Rubber Mounted Cabin
- Multi-Direction Operation
- 3 Wheel Hydrostatic Drive
- Load Sensing Steering
- 4 Way Lever Positioning of Wheels
- Hydraulic Oil Cooler

Distributed by: